



Electronic drive systems

PRODUCT BOOK 75.1



CHERUBINI



We believe in the power of constant evolution.

We put all our energy into motion, in the pursuit of systems that make life more comfortable and sustainable.

We chose to listen and co-design because we know that the most effective ideas come from working together.

Together with our customers and partners, we contribute to the improvement of living spaces with complete sun protection solutions: efficient, versatile and reliable.

Our Italian roots are an essential part of who we are. We are proud of our history as an industrial family and grateful to the people who make it possible for us to grow as an international group today.

We value this precious heritage of skills and passion in everything we do, constantly pushing us to be better, surpassing ourselves every day. Beyond expectations, beyond results, we always ask for more.

EXPECT MORE



LEGEND

TECHNOLOGY

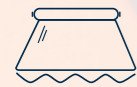


Cherubini Remote Control (RX Motors)

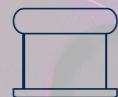
The radio system built into all RX motors enables encrypted transmission of the command between the motor and the remote control.

Easy programming and operation: the motor confirms all the steps by means of small rotations.

SYMBOLS LEGEND



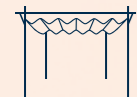
Awnings



Screens and mosquito nets



Rolling shutters



Pergola



Adjustable shutters

SERVICES



Training

We are committed to training as the foundation for proper counselling and installation of our products. The aim of our training courses for professional installers is to prepare our clients and their installers in technical training and sales counselling.



Technical service

Assistance in the installation, dealing by phone with a technician from the Cherubini team, or resolving pre-installation queries.



Technical-sales team

The technical-sales team will assist in identifying your needs so they can offer the most adequate product. Sales and technical counselling and support for projects and estimates. Direct phone contact with the client and the installation for on-site solutions to any incident or query.

CONTENT INDEX

motors Ø 45

Wired, with manual override - mechanical LS

With integrated radio - override device - mechanical LS

With integrated radio - electronic LS

With integrated radio - electronic LS

With integrated radio - electronic LS

With integrated radio - electronic LS

OCEAN

OCEAN RX

WAVE RX

WAVE RX V.25

TRONIC RX

CLIMA PLUS RX

p. 8
p. 10
p. 12
p. 14
p. 16
p. 18

motors Ø 58

Wired, with manual override - mechanical LS

With integrated radio - electronic LS

With integrated radio - electronic LS

With integrated radio - electronic LS

With integrated radio - electronic LS

OCEAN

WAVE RX

WAVE RX V.25

TRONIC RX

CLIMA PLUS RX

p. 20
p. 22
p. 24
p. 26
p. 28

POP series remote controls

POP

POP PLUS

POP LUX

POP P-LUX

p. 30
p. 30
p. 30
p. 30

climatic controls

MISTRAL

p. 32

adapters

MOTORS SERIES Ø45

MOTORS SERIES Ø58

p. 33
p. 35

brackets

MOTORS SERIES Ø45

MOTORS SERIES Ø45 - OCEAN, OCEAN RX

MOTORS SERIES Ø58

p. 36
p. 38
p. 39

other accessories

ACCESSORIES FOR MANUAL OPERATION

p. 40

general sales terms and condition warranty

p. 41
p. 42

Ocean Ø45



Mechanical limit switch

Reliable and easy adjustment of the limit switches.
Double access to the adjusting screws.

Compact override

Thanks to its small size, this device can be installed in limited spaces.
The reduction ratio is **1:24**.

Attachment without brackets

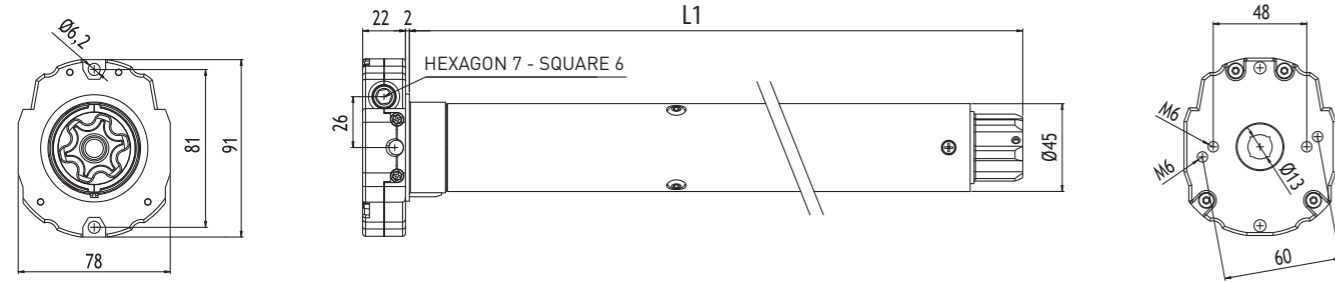
Thanks to the metallic head, the motor can be fastened directly to the bracket without needing additional supports.

Strength and safety

The star-shaped metallic reducer pin makes the motor highly reliable.

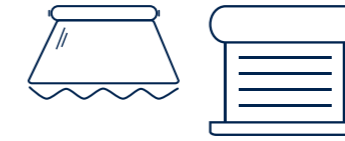


MOTOR WITH WIRE CONTROL AND OVERRIDE



Ocean Ø45

APPLICATION



MAIN CHARACTERISTICS

Code	Head	Torque	Speed	Certifications
CMS45322000	Zama	32 Nm	20 rpm	
CMS45401400	Zama	40 Nm	14 rpm	
CMS45501400	Zama	50 Nm	14 rpm	

Certifications are available on the cherubini-group.com website

TECHNICAL FEATURES

Motor torque (Nm)	32	40	50
Speed (rpm)	20	14	14
Mechanical limit switch	32	32	32
Power (W)	250	250	250
Power supply (V/Hz)	120/60	120/60	120/60
Consumption (A)	2,10	2,10	2,10
Cable* 4 x 0,75 (m)	lg. 2,5	lg. 2,5	lg. 2,5
Operating time (min)	4	4	4
Protection degree	IP44	IP44	IP44
Weight (kg)	4,0	4,0	4,0
L1 (mm)	670	670	670

32/20	40/14	50/14
32	40	50
20	14	14
32	32	32
250	250	250
120/60	120/60	120/60
2,10	2,10	2,10
lg. 2,5	lg. 2,5	lg. 2,5
4	4	4
IP44	IP44	IP44
4,0	4,0	4,0
670	670	670

ACCESSORIES FOR MANUAL OPERATION

For a complete list see "Accessories for manual operation" on page 40



Foldable crank
with hook length 150 cm
Ref. 7463 150G 2101



Crank
lg. 150 cm
Ref. 9100 150L CH02



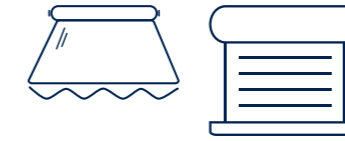
Eye with hexagon
7 x 86 mm
Ref. 6010 7008 CH16

Ocean RX Ø45



Ocean RX Ø45

APPLICATION



TECHNOLOGY



Mechanical limit switch

Built-in radio receiver et override device

The reduction ratio is **1:24**.

Safety and simplicity

High-safety coding system "Rolling Code".

Easy programming and operation: the motor confirms all the steps by means of small rotations.

Specific functions

- Precise adjustment for cassette awnings: the mechanical stop and regulation of the closing force enable the perfect awning closure, avoiding the danger of excessive pull on the fabric.
- Obstacle detection upwards, sensitivity setting on 3 levels possible via remote control.
- Direct fixing to the bracket without using supports.

Optional connections

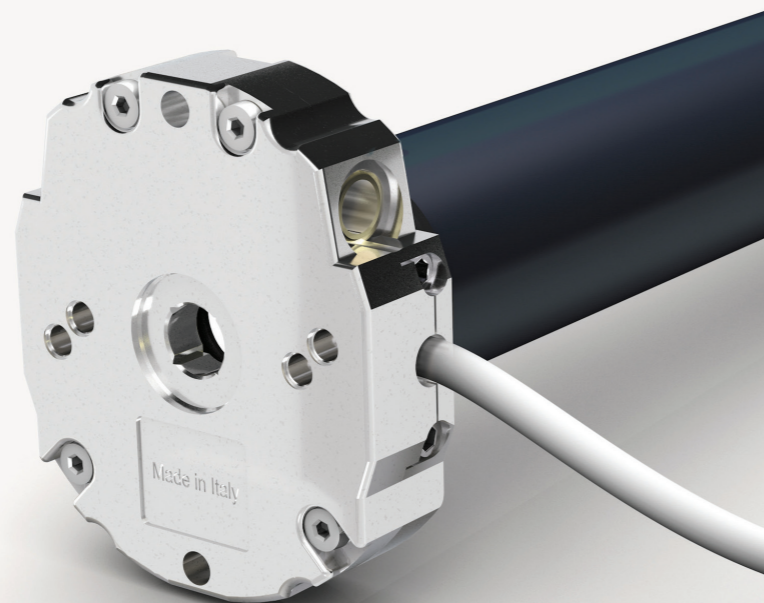
Wired switch.

Connection to Mistral wind sensor via radio.

MOTOR WITH BUILT-IN RECEIVER AND OVERRIDE DEVICE



BLACK - PHASE
RED - WIRED SWITCH
WHITE - NEUTRAL
YELLOW - GREEN ⊕



MAIN CHARACTERISTICS

TECHNICAL FEATURES

Motor torque (Nm)	
Speed (rpm)	
Mechanical limit switch	
Power (W)	
Power supply (V/Hz)	
Radio frequency (MHz)	
Consumption (A)	
Cable* 4 x 0,75 (m)	
Operating time (min)	
Protection degree	
Receiver storage capacity (No. Remote controls)	
Weight (kg)	
L1 (mm)	

ACCESSORIES FOR MANUAL OPERATION

For a complete list see "Accessories for manual operation" on page 40

COMPATIBLE SYSTEMS

Code	Head	Torque	Speed	Certifications
CMX45322000	Zama	32 Nm	20 rpm	
CMX45401400	Zama	40 Nm	14 rpm	
CMX45501400	Zama	50 Nm	14 rpm	

Certifications are available on the cherubini-group.com website

32/20	40/14	50/14	
Motor torque (Nm)	32	40	50
Speed (rpm)	20	14	14
Mechanical limit switch	32	32	32
Power (W)	250	250	250
Power supply (V/Hz)	120/60	120/60	120/60
Radio frequency (MHz)	433,92	433,92	433,92
Consumption (A)	2,10	2,10	2,10
Cable* 4 x 0,75 (m)	lg. 2,5	lg. 2,5	lg. 3
Operating time (min)	4	4	4
Protection degree	IP44	IP44	IP44
Receiver storage capacity (No. Remote controls)	15	15	15
Weight (kg)	4,2	4,2	4,2
L1 (mm)	725	725	725



Foldable crank
with hook length 150 cm
Ref. 7463 150G 2101



Crank
lg. 150 cm
Ref. 9100 150L CH02



Eye with hexagon
7 x 86 mm
Ref. 6010 7008 CH16



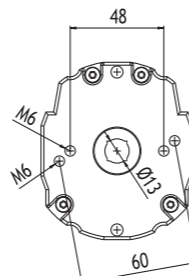
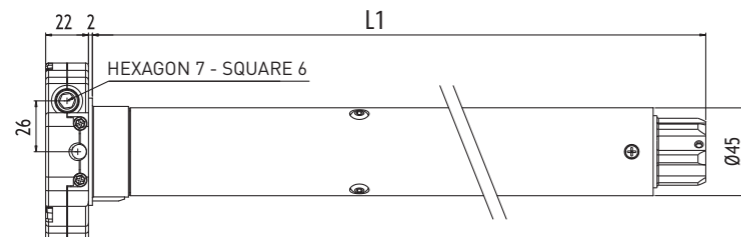
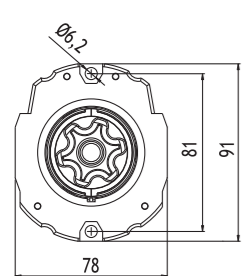
Cherubini Remote Controls

One-channel, multi-channel remote controls.



Climatic control Mistral

Wireless vibrating wind sensor.



Wave RX Ø45

the motor for all awning types



Electronic limit switch with built-in receiver, wire and radio control

Attachment without brackets

Thanks to the metallic head, the motor can be fastened directly to the bracket.

Adjustment of the closing force

The possibility to adjust the applied force ensures the perfect closing of the cassette awnings and avoids the danger of over-stretching the awning fabric.

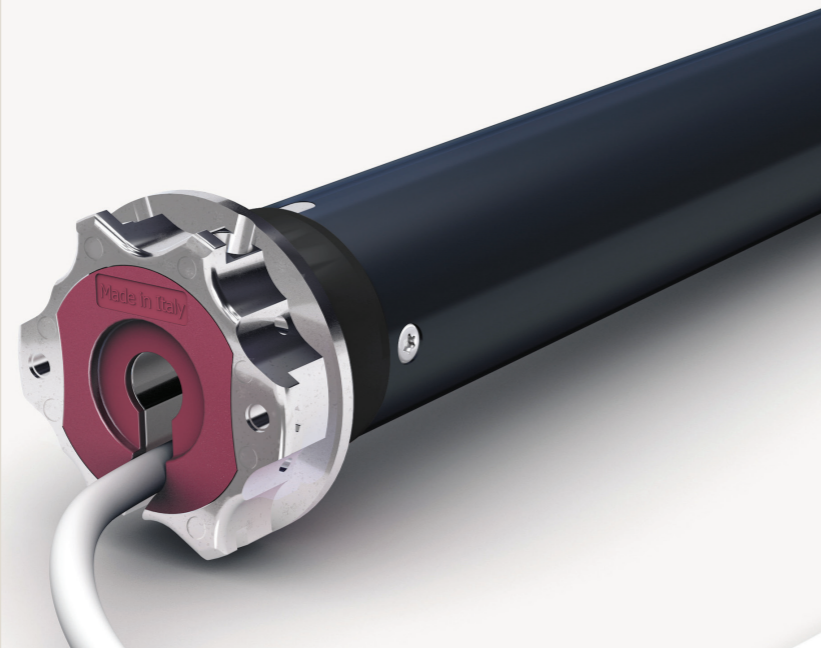
Specific functions

- "Super-sensitivity" function on obstacle detection (downwards), set by remote control, setting on 3 levels possible (only for 10-15-25 Nm).
- Obstacle detection upwards, sensitivity setting on 3 levels possible.
- Torque control for the stop in closing position of cassette awnings.
- Possibility of memorizing an intermediate position.
- Setting possible with remote control or wired switch.

Optional connections

- Wired switch.
- Connection to Mistral wind sensor via radio.

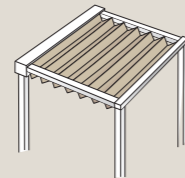
MOTOR WITH BUILT-IN RECEIVER



FUNCTIONS FOR PERGOLAS AND VERANDAS

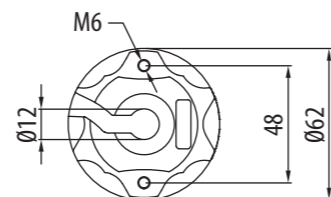
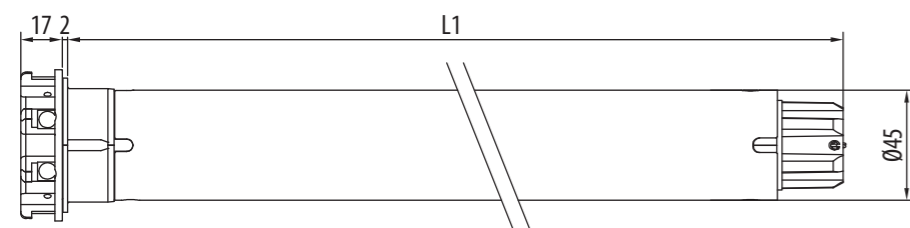
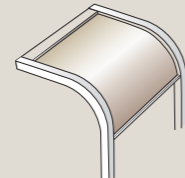
Pitched pergolas

On pitched pergolas the motor stops automatically when the fabric reaches its point of greatest extension: performing a remote control sequence is sufficient to program the limit switches. From that moment onwards each time the motor reaches the opening limit switch position, it stops so that it keeps the awning fabric taut.



Pergolas and horizontal awnings

For pergolas and horizontal awnings it is possible to activate the Fabric Tightening function: the motor, after reaching the outer limit, automatically performs a short backwards turn to tighten the fabric.



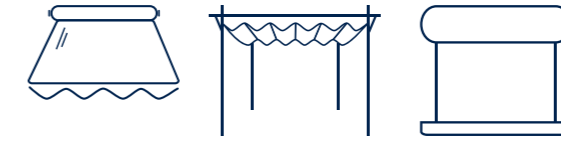
Wave RX Ø45

MAIN CHARACTERISTICS

TECHNICAL FEATURES

Motor torque (Nm)	
Speed (rpm)	
Power (W)	
Power supply (V/Hz)	
Radio frequency (MHz)	
Consumption (A)	
Cable 4 x 0,75 (m)	
Operating time (min)	
Protection degree	
Receiver storage capacity (No. Remote controls)	
Weight (kg)	
L1 (mm)	

APPLICATION



TECHNOLOGY



Code	Head	Torque	Speed	Certifications
CET45102000	Zama	10 Nm	20 rpm	cRU US
CET45152000	Zama	15 Nm	20 rpm	cRU US
CET45322000	Zama	32 Nm	20 rpm	cRU US
CET45401400	Zama	40 Nm	14 rpm	cRU US
CET45501400	Zama	50 Nm	14 rpm	cRU US

Certifications are available on the cherubini-group.com website
* Certification process in progress. Ask your Cherubini contact to check availability.

	10/20	15/20	32/20	40/14	50/14
Motor torque (Nm)	10	15	32	40	50
Speed (rpm)	20	20	20	14	14
Power (W)	175	190	250	250	250
Power supply (V/Hz)	120/60	120/60	120/60	120/60	120/60
Radio frequency (MHz)	433,92	433,92	433,92	433,92	433,92
Consumption (A)	1,50	1,65	2,10	2,10	2,10
Cable 4 x 0,75 (m)	lg. 3	lg. 3	lg. 3	lg. 3	lg. 3
Operating time (min)	4	4	4	4	4
Protection degree	IP44	IP44	IP44	IP44	IP44
Receiver storage capacity (No. Remote controls)	15	15	15	15	15
Weight (kg)	3,1	3,1	3,6	3,6	3,6
L1 (mm)	503	503	543	543	543

COMPATIBLE SYSTEMS



Cherubini Remote Controls

One-channel, multi-channel remote controls.



Climatic control Mistral

Wireless vibrating wind sensor.

Wave RX variant 25 Ø45



the motor for automatic coupling awnings with LOCK function

Electronic limit switch with built-in receiver, wire and radio control

The variant 25 of Wave RX was created to be adapted with great flexibility to all horizontal or vertical awnings equipped with automatic coupling. Electronic programming of the coupling excursion and stretching force ensure consistent operation over time.

Attachment without brackets

Thanks to the metallic head, the motor can be fastened directly to the bracket.

Specific functions

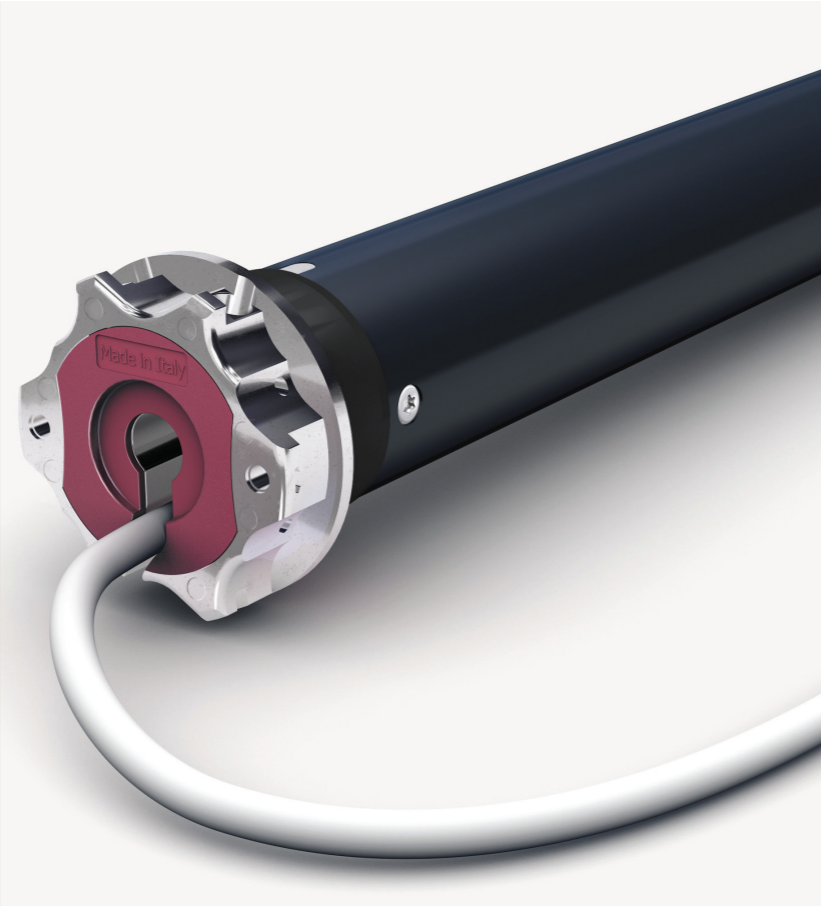
- "Super-sensitivity" function on obstacle detection (downwards), set by remote control, setting on 3 levels possible (only for 15-25 Nm).
- Obstacle detection upwards, sensitivity setting on 3 levels possible.
- Automatic programmable awning coupling and uncoupling system.
- Possibility of memorising the automatic coupling and uncoupling of the awning even in the intermediate position.
- Torque control for the stop in closing position of cassette awnings.
- Setting possible with remote control or wired switch.

Optional connections

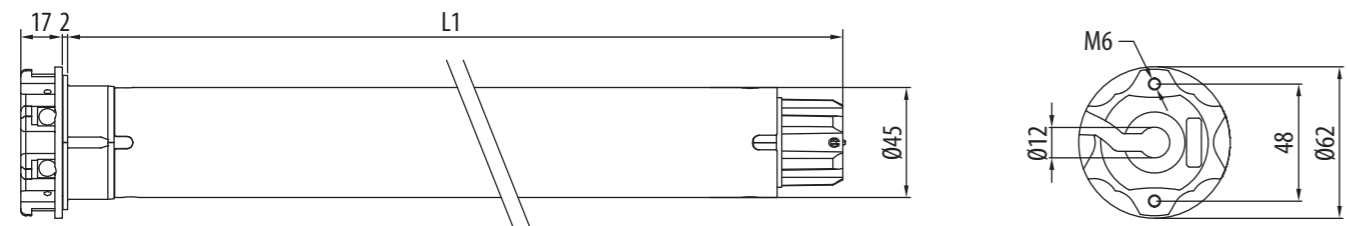
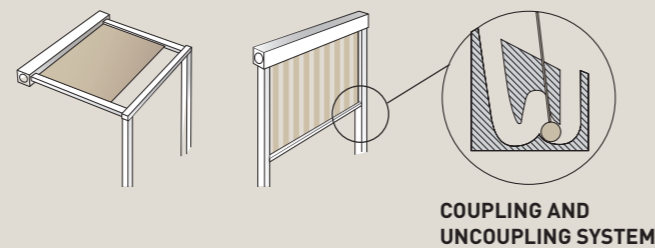
- Wired switch.
- Connection to Mistral wind sensor via radio.

MOTOR WITH BUILT-IN RECEIVER

- BLACK - PHASE
- RED - WIRED SWITCH
- WHITE - NEUTRAL
- YELLOW - GREEN ⊕



AUTOMATIC COUPLING AWNINGS



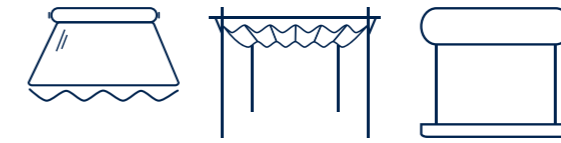
Wave RX variant 25 Ø45

MAIN CHARACTERISTICS

TECHNICAL FEATURES

Motor torque (Nm)	
Speed (rpm)	
Power (W)	
Power supply (V/Hz)	
Radio frequency (MHz)	
Consumption (A)	
Cable 4 x 0,75 (m)	
Operating time (min)	
Protection degree	
Receiver storage capacity (No. Remote controls)	
Weight (kg)	
L1 (mm)	

APPLICATION



TECHNOLOGY



Code	Head	Torque	Speed	Certifications
CET45102025	Zama	10 Nm	20 rpm	cRU _{US}
CET45152025	Zama	15 Nm	20 rpm	cRU _{US}
CET45322025	Zama	32 Nm	20 rpm	cRU _{US}
CET45401425	Zama	40 Nm	14 rpm	cRU _{US}
CET45501425	Zama	50 Nm	14 rpm	cRU _{US}

Certifications are available on the cherubini-group.com website
* Certification process in progress. Ask your Cherubini contact to check availability.

10/20	15/20	32/20	40/14	50/14
10	15	32	40	50
20	20	20	14	14
175	190	250	250	250
120/60	120/60	120/60	120/60	120/60
433,92	433,92	433,92	433,92	433,92
1,50	1,65	2,10	2,10	2,10
lg. 3	lg. 3	lg. 3	lg. 3	lg. 3
4	4	4	4	4
IP44	IP44	IP44	IP44	IP44
15	15	15	15	15
3,1	3,1	3,6	3,6	3,6
503	503	543	543	543

COMPATIBLE SYSTEMS



Cherubini Remote Controls

One-channel, multi-channel remote controls.



Climatic control Mistral

Wireless vibrating wind sensor.

Tronic RX Ø45

safety and comfort



Electronic limit switch with built-in receiver, wire and radio control

Simple and intuitive adjustment of the limit switch from the remote control.

The encoder technology makes it possible to keep the position set with optimum precision and reliability.

Safety and simplicity

High-safety coding system "Rolling Code".

Easy programming and operation: the motor confirms all the steps by means of small rotations.

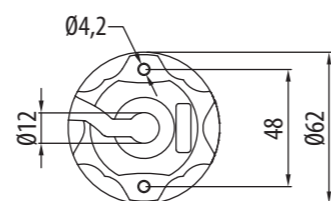
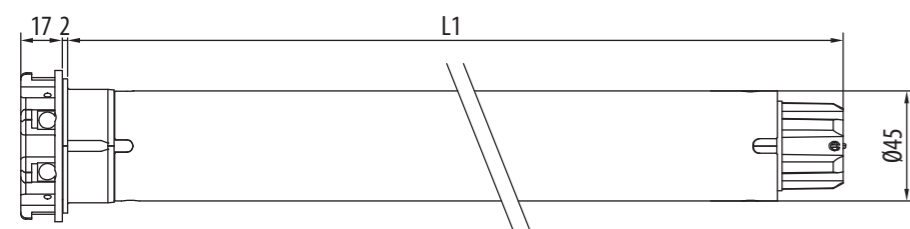
Specific functions

- Manual and semi-automatic adjustment of the limit switches.
- Setting possible with remote control or wired switch.
- Protection against freezing and obstacle detection on both directions, sensitivity setting on 3 levels possible.
- Possibility of memorizing an intermediate position.

Optional connections

Wired switch.

MOTOR WITH BUILT-IN RECEIVER



Tronic RX Ø45

MAIN CHARACTERISTICS

TECHNICAL FEATURES

Motor torque (Nm)	
Speed (rpm)	
Power (W)	
Power supply (V/Hz)	
Radio frequency (MHz)	
Consumption (A)	
Cable 4 x 0,75 (m)	
Operating time (min)	
Protection degree	
Receiver storage capacity (No. Remote controls)	
Weight (kg)	
L1 (mm)	

APPLICATION



TECHNOLOGY



Code	Head	Torque	Speed	Certifications
CER45102000	Zama	10 Nm	20 rpm	cRU ^{US}
CER45152000	Zama	15 Nm	20 rpm	cRU ^{US}
CER45322000	Zama	32 Nm	20 rpm	cRU ^{US}
CER45401400	Zama	40 Nm	14 rpm	cRU ^{US}
CER45501400	Zama	50 Nm	14 rpm	cRU ^{US}

Certifications are available on the cherubini-group.com website

* Certification process in progress. Ask your Cherubini contact to check availability.

	10/20	15/20	32/20	40/14	50/14
Motor torque (Nm)	10	15	32	40	50
Speed (rpm)	20	20	20	14	14
Power (W)	175	190	250	250	250
Power supply (V/Hz)	120/60	120/60	120/60	120/60	120/60
Radio frequency (MHz)	433,92	433,92	433,92	433,92	433,92
Consumption (A)	1,50	1,65	2,10	2,10	2,10
Cable 4 x 0,75 (m)	lg. 3	lg. 3	lg. 3	lg. 3	lg. 3
Operating time (min)	4	4	4	4	4
Protection degree	IP44	IP44	IP44	IP44	IP44
Receiver storage capacity (No. Remote controls)	15	15	15	15	15
Weight (kg)	3,1	3,1	3,6	3,6	3,6
L1 (mm)	503	503	543	543	543



Cherubini Remote Controls

One-channel, multi-channel remote controls.

COMPATIBLE SYSTEMS

Clima Plus RX Ø45



for all types of adjustable shutters - both for drop types and for coupling types

Electronic limit switch with built-in receiver, wire and radio control

Setting possible with remote control or wired switch. Compatible with most home automation systems on the market.

Tilting setting

The 5 programmable tilting options are designed to control all types of shutters with adjustable slats on the market - both drop system and coupling system types.

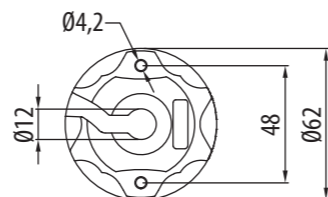
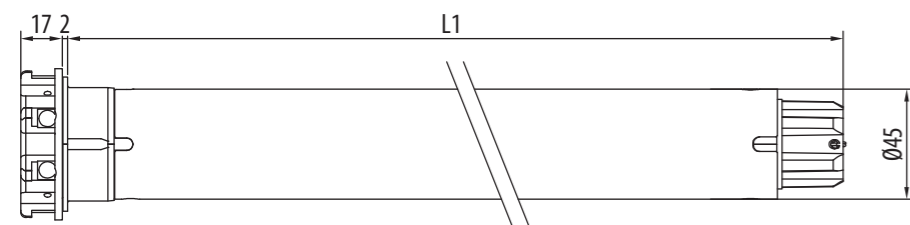
Specific functions

- Manual and semi-automatic adjustment of the limit switches.
- Protection against freezing and obstacle detection on both directions, sensitivity setting on 3 levels possible.
- Possibility of memorizing an intermediate position.

Optional connections

Wired switch.

MOTOR WITH BUILT-IN RECEIVER



Clima Plus RX Ø45

MAIN CHARACTERISTICS

TECHNICAL FEATURES

Motor torque (Nm)	
Speed (rpm)	
Power (W)	
Power supply (V/Hz)	
Radio frequency (MHz)	
Consumption (A)	
Cable 4 x 0,75 (m)	
Operating time (min)	
Protection degree	
Receiver storage capacity (No. Remote controls)	
Weight (kg)	
L1 (mm)	

APPLICATION



TECHNOLOGY



Code	Head	Torque	Speed	Certifications
CED45101400	Zama	10 Nm	14 rpm	
CED45151400	Zama	15 Nm	14 rpm	
CED45321400	Zama	32 Nm	14 rpm	
CED45401400	Zama	40 Nm	14 rpm	
CED45501400	Zama	50 Nm	14 rpm	

Certifications are available on the cherubini-group.com website

10/14	15/14	32/14	40/14	50/14
10	15	32	40	50
14	14	14	14	14
175	190	250	250	250
120/60	120/60	120/60	120/60	120/60
433,92	433,92	433,92	433,92	433,92
1,50	1,65	2,10	2,10	2,10
lg. 3	lg. 3	lg. 3	lg. 3	lg. 3
4	4	4	4	4
IP44	IP44	IP44	IP44	IP44
15	15	15	15	15
3,1	3,1	3,6	3,6	3,6
503	503	543	543	543



Cherubini Remote Controls

One-channel, multi-channel remote controls.

COMPATIBLE SYSTEMS

Ocean Ø58



Mechanical limit switch

Reliable and easy adjustment of the limit switches.
Double access to the adjusting screws.

Strength and safety

The star-shaped metallic reducer pin makes the motor highly reliable.

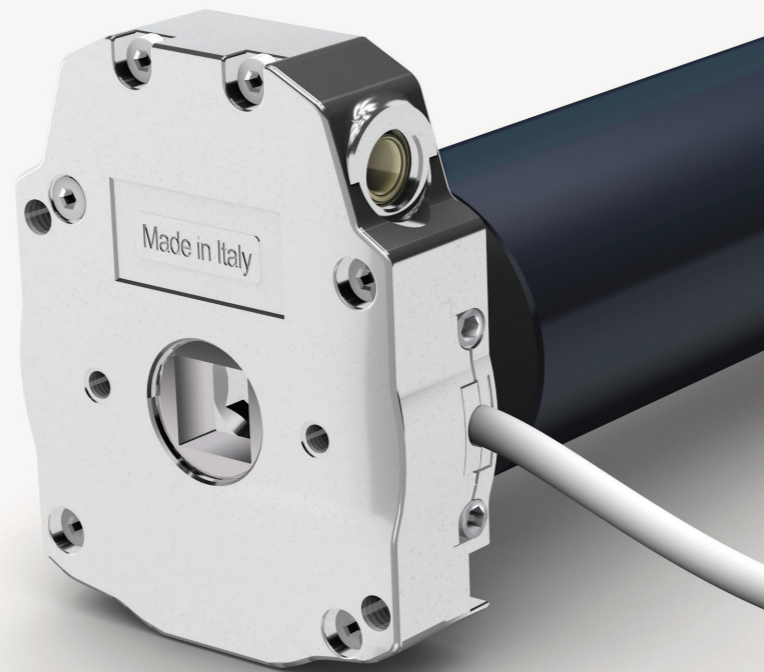
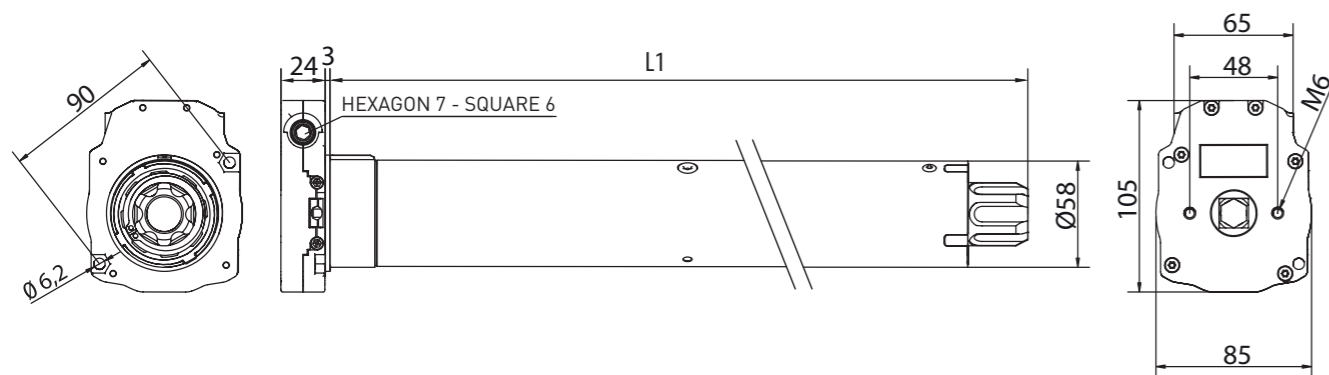
Attachment without brackets

Thanks to the metallic head, the motor can be fastened directly to the bracket without needing additional supports.

Compact override

Thanks to its small size, this device can be installed in limited spaces.
The reduction ratio is **1:55**.

MOTOR WITH WIRE CONTROL AND OVERRIDE



Ocean Ø58

MAIN CHARACTERISTICS

TECHNICAL FEATURES

Motor torque (Nm)	
Speed (rpm)	
Mechanical limit switch	
Power (W)	
Power supply (V/Hz)	
Consumption (A)	
Cable* 4 x 0,75 (m)	
Operating time (min)	
Protection degree	
Weight (kg)	
L1 (mm)	

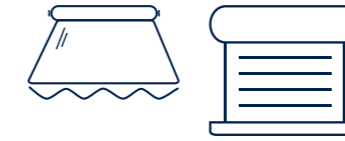
ACCESSORIES FOR MANUAL OPERATION

For a complete list see "Accessories for manual operation" on page 40

COMPATIBLE SYSTEMS

TDS Compact and Compact ROLL radio receivers are under development. Ask your Cherubini contact for availability.

APPLICATION



TECHNOLOGY



Code	Head	Torque	Speed	Certifications
CMS58061400	Zama	60 Nm	14 rpm	CE, UL
CMS58081400	Zama	80 Nm	14 rpm	CE, UL
CMS58101400	Zama	100 Nm	14 rpm	UNDER DEVELOPMENT**

Certifications are available on the cherubini-group.com website
** Product under development. Ask your Cherubini contact to check availability.

60/14	80/14	
Motor torque (Nm)	60	80
Speed (rpm)	14	14
Mechanical limit switch	29	29
Power (W)	310	380
Power supply (V/Hz)	120/60	120/60
Consumption (A)	2,60	3,20
Cable* 4 x 0,75 (m)	lg. 2,5	lg. 2,5
Operating time (min)	4	4
Protection degree	IP44	IP44
Weight (kg)	7,0	7,0
L1 (mm)	703	703

*Possibility of cable with Hirschmann STAS 3.



Foldable crank
with hook length 150 cm
Ref. 7463 150G 2101



Crank
lg. 150 cm
Ref. 9100 150L CH02



Eye with hexagon
7 x 86 mm
Ref. 6010 7008 CH16

AUTOMATION OF THE MOTOR WITH MANUAL OVERRIDE DEVICE

Ocean combined with TDS Compact and Compact Roll radio receivers becomes a radio controlled motor and takes on new functions.

Moving the override, the end positions remain unchanged.



OCEAN + TDS Compact

- Obstacle recognition during closing.
- Closing force adjustment on 3 levels possible.
- First intermediate position programmable from the remote control.
- Second intermediate position programmable from the remote control and controlled by the WindTec Lux light sensor.



OCEAN + Compact ROLL

- Obstacle detection on both directions, sensitivity setting on 3 levels possible.
- Two intermediate positions that are programmable and usable from the remote control.

Wave RX Ø58

the motor for all awning types



Electronic limit switch with built-in receiver, wire and radio control

Attachment without brackets

Thanks to the metallic head, the motor can be fastened directly to the bracket.

Adjustment of the closing force

The possibility to adjust the applied force ensures the perfect closing of the cassette awnings and avoids the danger of over-stretching the awning fabric.

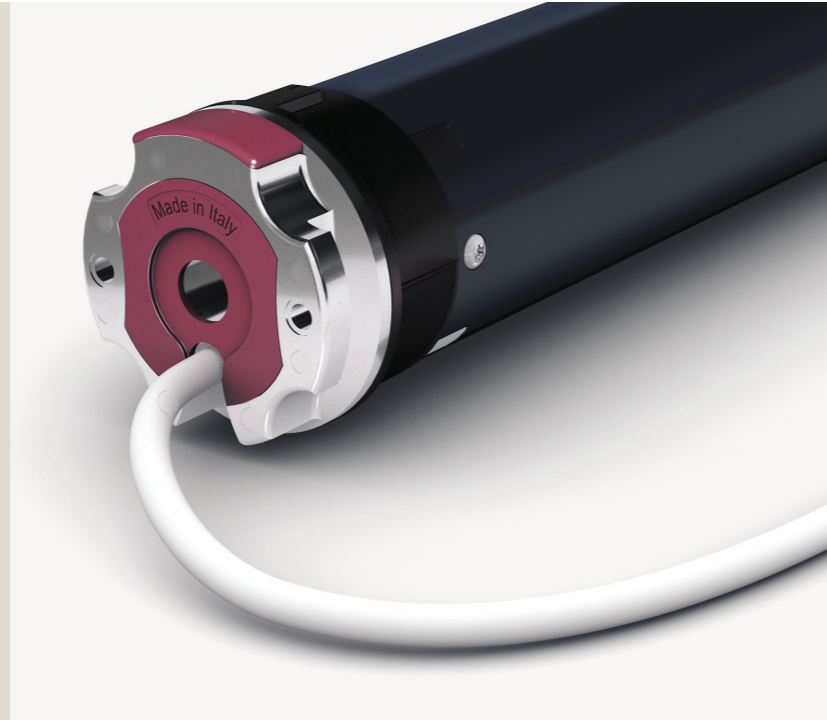
Specific functions

- Obstacle detection upwards, sensitivity setting on 3 levels possible.
- Torque control for the stop in closing position of cassette awnings.
- Possibility of memorizing an intermediate position.
- Setting possible with remote control or wired switch.

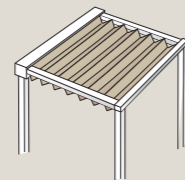
Optional connections

- Wired switch.
- Connection to Mistral wind sensor via radio.

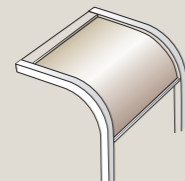
MOTOR WITH BUILT-IN RECEIVER



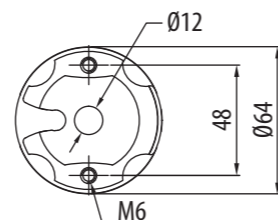
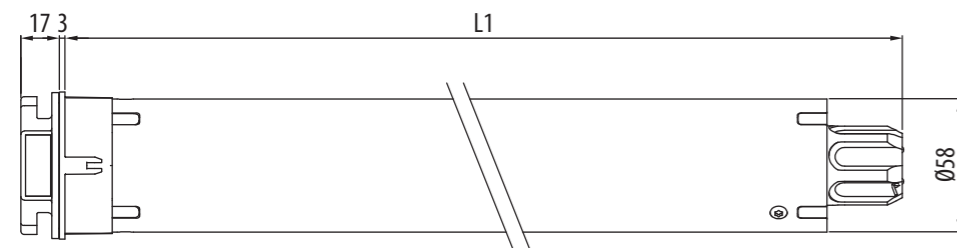
FUNCTIONS FOR PERGOLAS AND VERANDAS



Pitched pergolas
On pitched pergolas the motor stops automatically when the fabric reaches its point of greatest extension: performing a remote control sequence is sufficient to program the limit switches. From that moment onwards each time the motor reaches the opening limit switch position, it stops so that it keeps the awning fabric taut.



Pergolas and horizontal awnings
For pergolas and horizontal awnings it is possible to activate the Fabric Tightening function: the motor, after reaching the outer limit, automatically performs a short backwards turn to tighten the fabric.



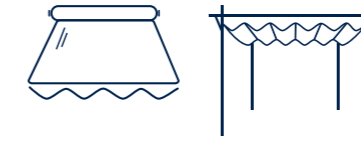
Wave RX Ø58

MAIN CHARACTERISTICS

TECHNICAL FEATURES

Motor torque (Nm)	60	80
Speed (rpm)	14	14
Power (W)	310	380
Power supply (V/Hz)	120/60	120/60
Radio frequency (MHz)	433,92	433,92
Consumption (A)	2,60	3,20
Cable 4 x 0,75 (m)	lg. 3	lg. 3
Operating time (min)	4	4
Protection degree	IP44	IP44
Receiver storage capacity (No. Remote controls)	15	15
Weight (kg)	6,0	6,0
L1 (mm)	700	700

APPLICATION



TECHNOLOGY



Code	Head	Torque	Speed	Certifications
CET58061400	Zama	60 Nm	14 rpm	C RU US
CET58081400	Zama	80 Nm	14 rpm	C RU US
CET58101400	Zama	100 Nm	14 rpm	UNDER DEVELOPMENT**

Certifications are available on the cherubini-group.com website

60/14	80/14	
Motor torque (Nm)	60	80
Speed (rpm)	14	14
Power (W)	310	380
Power supply (V/Hz)	120/60	120/60
Radio frequency (MHz)	433,92	433,92
Consumption (A)	2,60	3,20
Cable 4 x 0,75 (m)	lg. 3	lg. 3
Operating time (min)	4	4
Protection degree	IP44	IP44
Receiver storage capacity (No. Remote controls)	15	15
Weight (kg)	6,0	6,0
L1 (mm)	700	700

COMPATIBLE SYSTEMS



Cherubini Remote Controls

One-channel, multi-channel remote controls.



Climatic control Mistral

Wireless vibrating wind sensor.

Wave RX *variant 25*

Ø58



the motor for automatic coupling awnings with LOCK function

Electronic limit switch with built-in receiver, wire and radio control

The variant 25 of Wave RX was created to be adapted with great flexibility to all horizontal or vertical awnings equipped with automatic coupling. Electronic programming of the coupling excursion and stretching force ensure consistent operation over time.

Attachment without brackets

Thanks to the metallic head, the motor can be fastened directly to the bracket.

Specific functions

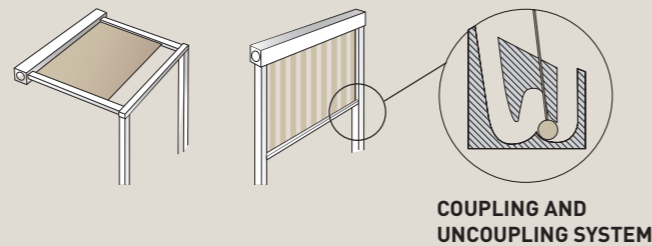
- Automatic programmable awning coupling and uncoupling system.
- Possibility of memorising the automatic coupling and uncoupling of the awning even in the intermediate position.
- Obstacle detection upwards, sensitivity setting on 3 levels possible.
- Torque control for the stop in closing position of cassette awnings.
- Setting possible with remote control or wired switch.

Optional connections

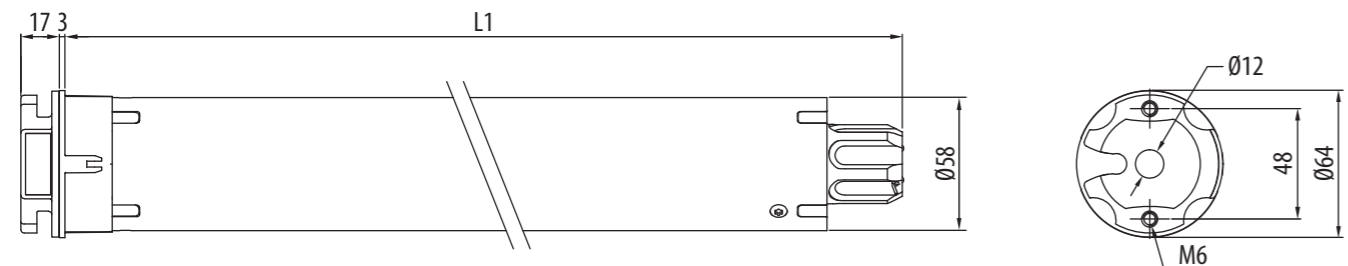
- Wired switch.
- Connection to Mistral wind sensor via radio.



AUTOMATIC COUPLING AWNINGS



MOTOR WITH BUILT-IN RECEIVER



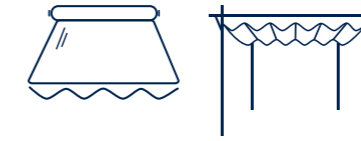
Wave RX variant 25 Ø58

MAIN CHARACTERISTICS

TECHNICAL FEATURES

Motor torque (Nm)	60	80
Speed (rpm)	14	14
Power (W)	310	380
Power supply (V/Hz)	120/60	120/60
Radio frequency (MHz)	433,92	433,92
Consumption (A)	2,60	3,20
Cable 4 x 0,75 (m)	lg. 3	lg. 3
Operating time (min)	4	4
Protection degree	IP44	IP44
Receiver storage capacity (No. Remote controls)	15	15
Weight (kg)	6,0	6,0
L1 (mm)	700	700

APPLICATION



TECHNOLOGY



Code	Head	Torque	Speed	Certifications
CET58061425	Zama	60 Nm	14 rpm	C RU US
CET58081425	Zama	80 Nm	14 rpm	C RU US
CET58101425	Zama	100 Nm	14 rpm	UNDER DEVELOPMENT**

Certifications are available on the cherubini-group.com website

60/14	80/14	
Motor torque (Nm)	60	80
Speed (rpm)	14	14
Power (W)	310	380
Power supply (V/Hz)	120/60	120/60
Radio frequency (MHz)	433,92	433,92
Consumption (A)	2,60	3,20
Cable 4 x 0,75 (m)	lg. 3	lg. 3
Operating time (min)	4	4
Protection degree	IP44	IP44
Receiver storage capacity (No. Remote controls)	15	15
Weight (kg)	6,0	6,0
L1 (mm)	700	700

COMPATIBLE SYSTEMS



Cherubini Remote Controls

One-channel, multi-channel remote controls.



Climatic control Mistral

Wireless vibrating wind sensor.

Tronic RX Ø58

safety and comfort



Electronic limit switch with built-in receiver, wire and radio control

Simple and intuitive adjustment of the limit switch from the remote control.

The encoder technology makes it possible to keep the position set with optimum precision and reliability.

Safety and simplicity

High-safety coding system "Rolling Code".

Easy programming and operation: the motor confirms all the steps by means of small rotations.

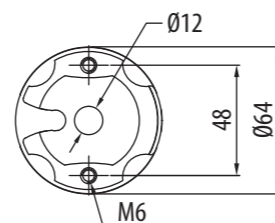
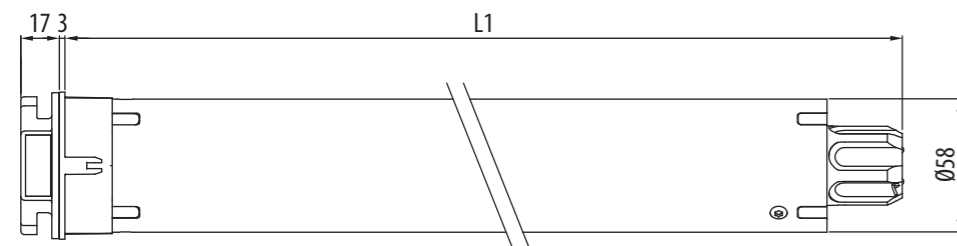
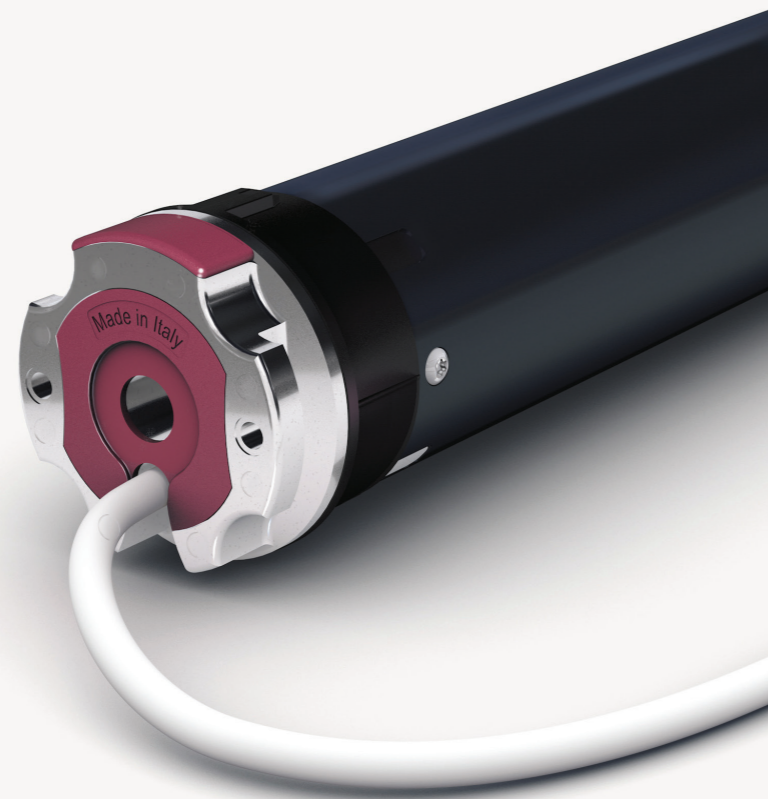
Specific functions

- Manual and semi-automatic adjustment of the limit switches.
- Protection against freezing and obstacle detection on both directions, sensitivity setting on 3 levels possible.
- Possibility of memorizing an intermediate position.
- Setting possible with remote control or wired switch.

Optional connections

Wired switch.

MOTOR WITH BUILT-IN RECEIVER



Tronic RX Ø58

MAIN CHARACTERISTICS

TECHNICAL FEATURES

Motor torque (Nm)	
Speed (rpm)	
Power (W)	
Power supply (V/Hz)	
Radio frequency (MHz)	
Consumption (A)	
Cable 4 x 0,75 (m)	
Operating time (min)	
Protection degree	
Receiver storage capacity (No. Remote controls)	
Weight (kg)	
L1 (mm)	

APPLICATION



TECHNOLOGY



Code	Head	Torque	Speed	Certifications
CER58061400	Zama	60 Nm	14 rpm	C _{RU} US
CER58081400	Zama	80 Nm	14 rpm	C _{RU} US
CER58101400	Zama	100 Nm	14 rpm	UNDER DEVELOPMENT**

Certifications are available on the cherubini-group.com website

** Product under development. Ask your Cherubini contact to check availability.

	60/14	80/14
Motor torque (Nm)	60	80
Speed (rpm)	14	14
Power (W)	310	380
Power supply (V/Hz)	120/60	120/60
Radio frequency (MHz)	433,92	433,92
Consumption (A)	2,60	3,20
Cable 4 x 0,75 (m)	lg. 3	lg. 3
Operating time (min)	4	4
Protection degree	IP44	IP44
Receiver storage capacity (No. Remote controls)	15	15
Weight (kg)	6,0	6,0
L1 (mm)	700	700



Cherubini Remote Controls

One-channel, multi-channel remote controls.

COMPATIBLE SYSTEMS

Clima Plus RX Ø58



for all types of adjustable shutters - both for drop types and for coupling types

Electronic limit switch with built-in receiver, wire and radio control

Setting possible with remote control or wired switch. Compatible with most home automation systems on the market.

Tilting setting

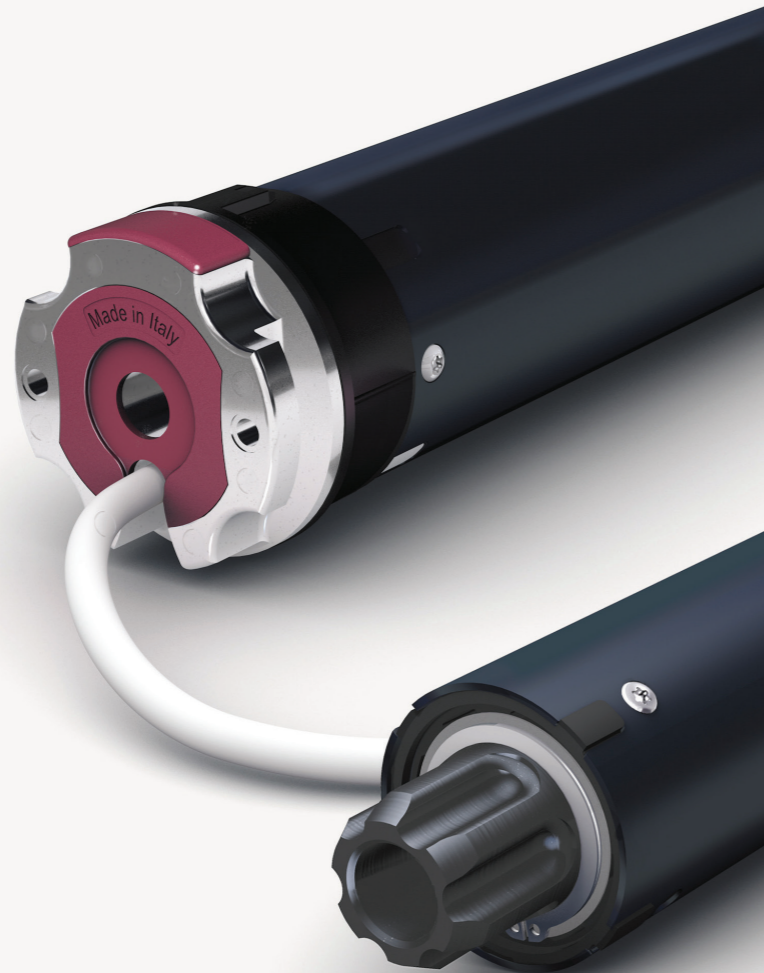
The 5 programmable tilting options are designed to control all types of shutters with adjustable slats on the market - both drop system and coupling system types.

Specific functions

- Manual and semi-automatic adjustment of the limit switches.
- Protection against freezing and obstacle detection on both directions, sensitivity setting on 3 levels possible.
- Possibility of memorizing an intermediate position.

Optional connections

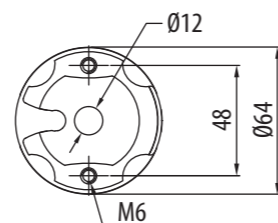
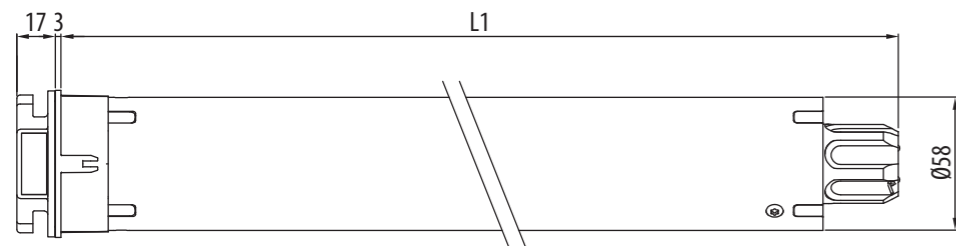
Wired switch.



MOTOR WITH BUILT-IN RECEIVER



BLACK - PHASE
RED - WIRED SWITCH
WHITE - NEUTRAL
YELLOW - GREEN ⊕



Clima Plus RX Ø58

MAIN CHARACTERISTICS

TECHNICAL FEATURES

Motor torque (Nm)	60	80
Speed (rpm)	14	14
Power (W)	310	380
Power supply (V/Hz)	120/60	120/60
Radio frequency (MHz)	433,92	433,92
Consumption (A)	2,60	3,20
Cable 4 x 0,75 (m)	lg. 3	lg. 3
Operating time (min)	4	4
Protection degree	IP44	IP44
Receiver storage capacity (No. Remote controls)	15	15
Weight (kg)	6,0	6,0
L1 (mm)	700	700

COMPATIBLE SYSTEMS

APPLICATION



TECHNOLOGY



Code	Head	Torque	Speed	Certifications
CED58061400	Zama	60 Nm	14 rpm	C RU US
CED58081400	Zama	80 Nm	14 rpm	C RU US
CED58101400	Zama	100 Nm	14 rpm	UNDER DEVELOPMENT**

Certifications are available on the cherubini-group.com website
** Product under development. Ask your Cherubini contact to check availability.

	60/14	80/14
Motor torque (Nm)	60	80
Speed (rpm)	14	14
Power (W)	310	380
Power supply (V/Hz)	120/60	120/60
Radio frequency (MHz)	433,92	433,92
Consumption (A)	2,60	3,20
Cable 4 x 0,75 (m)	lg. 3	lg. 3
Operating time (min)	4	4
Protection degree	IP44	IP44
Receiver storage capacity (No. Remote controls)	15	15
Weight (kg)	6,0	6,0
L1 (mm)	700	700



Cherubini Remote Controls

One-channel, multi-channel remote controls.

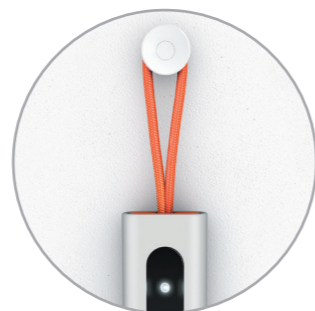
Pop

Pop series remote controls



Handy, essential and customizable in six colours.

- Coloured closing caps with removable matching cord.
- Wall support with countersunk-head screw.
- Easy-to-read white LED display.
- Long-lasting and easy-to-replace AAA batteries included.



Programming

- Hide unused channels function available.
- Automatic close of the programming function.



Colours:

casing closing cap/cord



Customization Kit

Made of 5 different colours closing caps and matching cords, the kit allows the end-user to customize and mark the different remote controls of the house.



Pop



VERSIONS

Code	Model	Colour
A530126	POP	■
A530127	POP	■
A530138	POP PLUS	■
A530139	POP PLUS	■
A530132	POP LUX	■
A530133	POP LUX	■
A530144	POP P-LUX	■
A530145	POP P-LUX	■



CHARACTERISTICS

Power supply	2,4V - 3V dc
Type of battery	2 x LR03 (AAA)
Transmission frequency	433,92 MHz
Modulation	AM/ASK
Decoder system	Rolling code
Operating range in open spaces	100 - 150 m
Operating temperature	-10 °C +50 °C
Dimensions (mm)	132 x 32 x 16
Weight (with batteries)	63 g

Kit Code

Kit Code	Colours
A4508_0L60	Closing caps and cords ■ ■ ■ ■ ■

Display case code

A540012	Case containing two non-transmitting remote controls, wall bracket, caps and interchangeable lanyards.
---------	--

POP

One-channel remote control for one receiver or one group of receivers.



POP PLUS

Multi-channel remote control with 7 individual channels and one global channel. Hide unused channels function available.



POP LUX

One-channel remote control for one receiver or one group of receivers.

The Lux control allows you to enable or disable the solar function in motors and receivers compatible with the WindTec Lux climate controls.



POP P-LUX

Multi-channel remote control with 7 individual channels and one global channel.

Option to only visualise used channels on display. The Lux control allows you to enable or disable the solar function in motors and receivers compatible with the WindTec Lux climate controls, individually or on the global channel.



Mistral

Vibration wind sensor

A520012

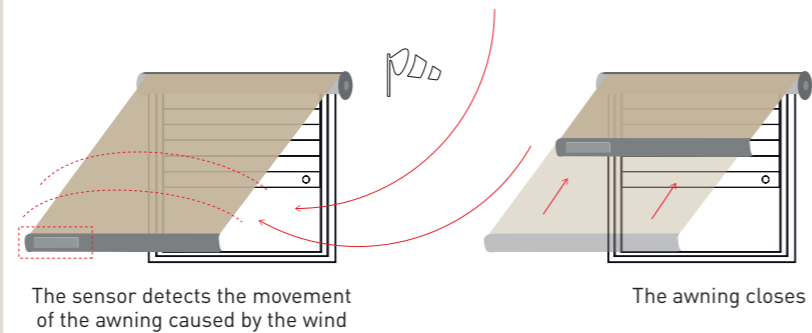


The vibration wind sensor protects the awning by detecting its movement caused by the wind.

Compatible with the Wave RX, Senso RX, Wave Loch RX, Movi RX, Garda RX, Ocean RX, Ora ZRX, Rebis ZRX motor series and with external radio receivers for awnings.

Wireless: no wiring between the motor and the sensor.
To be installed on the awning's terminal load bar.
Small size 140x38x26 mm

OPERATIONAL DIAGRAM



VERSIONS

Code	Model	Function
A520012	MISTRAL	Wind sensor

CHARACTERISTICS

Power supply	2,4 V-3V DC
Type of battery	2xLR03 (AAA)
Transmission frequency	433,92 MHz
Modulation	AM/ASK
Decoder system	Rolling Code
Irradiated RF power (ERP)	2 mW
Operating temperature	-10 °C +50 °C
Dimensions (mm)	140 x 38 x 26 mm
Weight (g)	100
Protection degree	IP44

Certification process in progress.
Ask your Cherubini contact to check availability.



Adapters for motors Ø45

Ogives	<p>Ogive 63</p> <p>A4505_0525 Adapters RollerBat 63</p>	<p>Ogive 70</p> <p>A4505_0518 Adapters Oval 70 Selt</p>	<p>Ogive 70</p> <p>A4505_0519 Adapters tube 70 reduced Ogive</p>
	<p>Ogive 70</p> <p>A4505_0520 Adapters Oval 70 Selt and RollerBat 70</p>	<p>Ogive 78</p> <p>A4505_0521 Adapters Ogive 78 + Flat Ogive 78</p>	
	<p>Ogive 80</p> <p>A4505_0523 Adapters RollerBat 80</p>	<p>Ogive 85</p> <p>A4505_0513 Adapters Ogive 85</p>	
	<p>Round 50</p> <p>A4505_0514 Adapters round tube 50 Thoni</p>	<p>Round 52-58-70</p> <p>A4505_0528 Adapters Delfin 52-58-70</p>	
	<p>Round 50</p> <p>A4505_0505 Adapters Round 50</p>	<p>Tondo 60</p> <p>A4505_0506 Adapters Round 60</p>	<p>Round 70</p> <p>A4505_0515 Adapters Round 70</p>

Adapters for motors Ø45

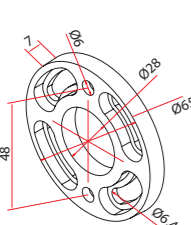
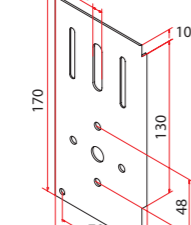
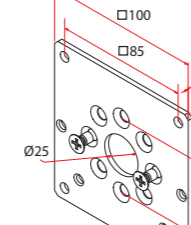
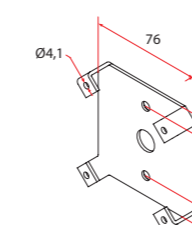
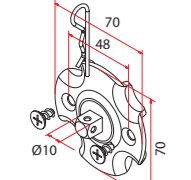
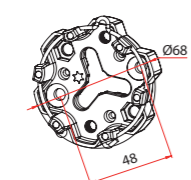
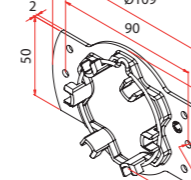
Octagonal	<p>Octagonal 52</p> <p>A4505_0511 Adapters Octagonal 52</p>	<p>Octagonal 60</p> <p>A4505_0510 Adapters Octagonal 60 th. 1 mm</p>	<p>Star-shaped 60</p> <p>A4505_0512 Adapters Star-shaped 60</p>
	<p>Octagonal 70</p> <p>A4505_0502 Adapters Octagonal 70</p>	<p>Octagonal 60</p> <p>A4505_0531 Adapters Octagonal 60 th. 0,6 mm</p>	<p>Octagonal 60 up to 20 Nm</p> <p>A4505_0532 Adapters Octagonal 60 th. 0,6 mm, reduced thickness</p>
	<p>Deprat 53</p> <p>A4505_0508 Adapters Deprat 53</p>	<p>Deprat 62/Welser 63</p> <p>A4505_0507 Adapters Deprat 62/Welser 63</p>	<p>Deprat 89</p> <p>A4505_0516 Adapters Deprat 89</p>
<p>ZF 54</p> <p>A4505_0508 Adapters ZF 54</p>	<p>ZF 64</p> <p>A4505_0509 Adapters ZF 64</p>	<p>ZF 80</p> <p>A4505_0517 Adapters ZF 80</p>	
Others	<p>Acmeda 60</p> <p>A4505_0522 Adapters Acmeda 60</p> <p>Dalex 63 + 80 / Eurothema 60 / Gibus D58 / RollerBat 56 / Soprofen 53 + 54</p> <p>A4505_0524 Drive pulley suitable for multiple profiles</p> <p>Dalex 80 Dalex 63 Eurothema 60 Gibus D58 RollerBat 56 Soprofen 53/54</p>		

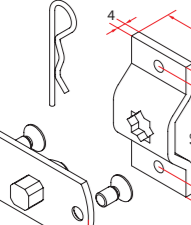
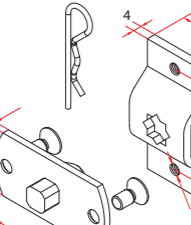
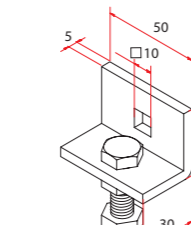
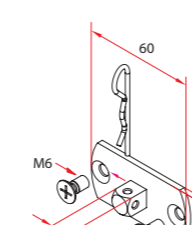
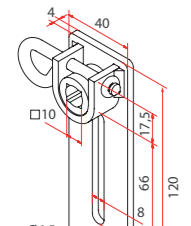
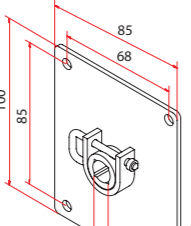
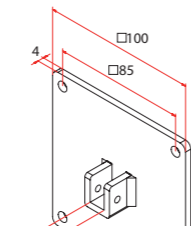
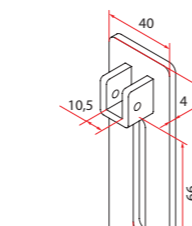
Adapters for motors Ø58

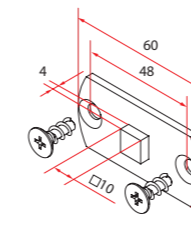
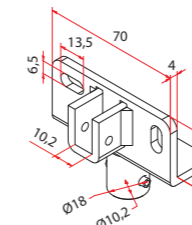
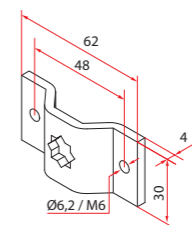
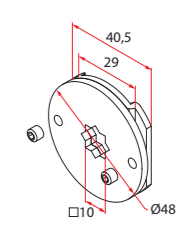
Ogives	<p>Ogive 78</p> <p>A5805_0502 Adapters Ogive 78</p>	<p>Ogive 78 flat</p> <p>A5805_0513 Adapters Flat Ogive 78</p>	<p>Ogive 85</p> <p>A5805_0503 Adapters Ogive 85</p>	<p>Ogive 100</p> <p>A5805_0516 Adapters Ogive 100 Stobag</p>	
	<p>Round 63</p> <p>A5805_0509 Adapters Round 63</p>	<p>Round 70</p> <p>A5805_0508 Adapters Round 70</p>	<p>Round 72</p> <p>A5805_0514 Adapters Round 72 Gibus LS60 (Øe 72)</p>		
	<p>Round 75</p> <p>A5805_0511 Adapters Round 75 Matest</p>	<p>Round 98</p> <p>A5805_0510 Adapters Round 98</p>	<p>Round 102</p> <p>A5805_0507 Adapters Round 102</p>		
	<p>Octagonal 70</p> <p>A5805_0501 Adapters Octagonal 70</p>	<p>Octagonal 102</p> <p>A5805_0506 Adapters Octagonal Welser tube 102</p>	<p>Octagonal 125</p> <p>A5805_0512 Adapters Octagonal Heroal 125</p>		
Others	<p>ZF 80</p> <p>A5805_0504 Adapters ZF 80</p>	<p>RollerBat 80</p> <p>A5805_0515 Adapters RollerBat 80</p>	<p>Deprat 89</p> <p>A5805_0505 Adapters Deprat 89</p>		

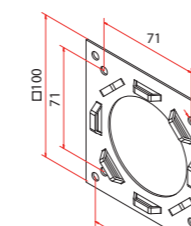
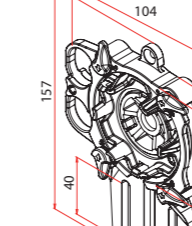
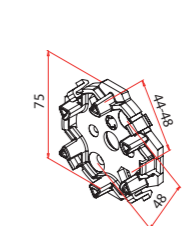
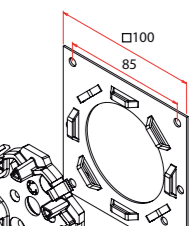
Brackets for motors Ø45

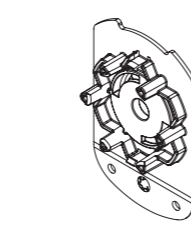
Brackets for motors Ø45

all motor torques			
 <p>9014 Flange</p>	 <p>A4506_0559 "Vercelli" support plate</p>	 <p>A4506_0568 (zama heads only) Plate 100x100</p>	 <p>A4506_0588 Bracket "Bloc-Baie"</p>
 <p>A4506_0616 (only for plastic head) Square pin 10 mm</p>	 <p>A4506_0638 Zama bracket with spring</p>	 <p>A4506_0642 Steel support with spring</p>	

up to 32 Nm			
 <p>A4506_0556 (head in zama) A4506_0566 (head in plastic) Flanged 10 mm square pin with omega bar, through holes</p>	 <p>A4506_0557 (head in zama) A4506_0567 (head in plastic) Flanged 10 mm square pin with omega bar, M6 holes</p>	 <p>A4506_0558 Adjustable bracket with 10 mm square hole</p>	 <p>A4506_0580 (head in zama) A4506_0569 (head in plastic) 10 mm square pin with M6 screw</p>
 <p>A4506_0562 Adjustable bracket with 10 mm square hole, with release</p>	 <p>A4506_0561 Bracket with 10 mm square hole, with release</p>	 <p>A4506_0572 Bracket with 10 mm square hole, without release</p>	 <p>A4506_0573 Adjustable bracket with 10 mm square hole, without release</p>

up to 32 Nm			
 <p>A4506_0597 Mosquito screen 10 short flanged square pin bracket</p>	 <p>A4506_0600 Bracket with saddle square 10 mm</p>	 <p>A4506_0520 Ø6.2 holes A4506_0621 M6 holes Omega bar for 10 mm square</p>	 <p>A4506_0623 Star-shaped 10 mm square pin coupling removable head</p>

up to 20 Nm			
 <p>A4506_0595 SLO support plate</p>	 <p>A4506_0641 Support 3 slots with release</p>	 <p>A4506_0644 Snap-on bracket</p>	 <p>A4506_0653 Support kit 100x100 ZF Croci-Veka</p>



A4506_0656
Profine system sidewall support

FIXING KIT

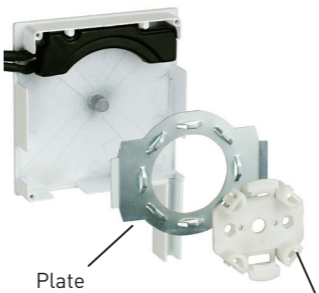
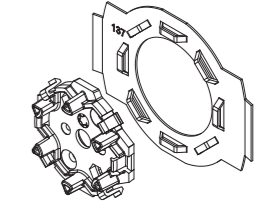


Plate Bracket in plastic

SYSTEM OPTime

Fastening without screws:
Compatible on all kind of side caps. Possibility of adjustment on all positions.

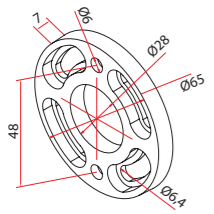
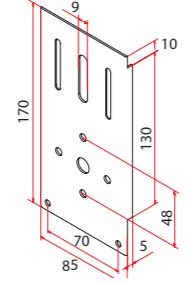
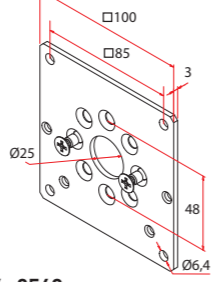
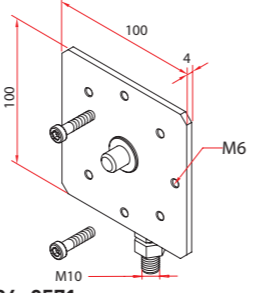
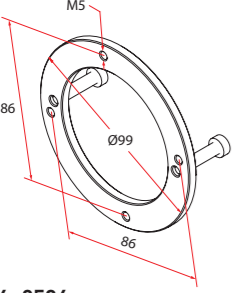
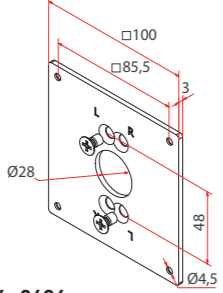


Code	Description	Code	Description
A4506_0645	OPTime fastening kit 130	A4506_0649	OPTime fastening kit 165
A4506_0646	OPTime fastening kit 137	A4506_0650	OPTime fastening kit 170
A4506_0647	OPTime fastening kit 140	A4506_0651	OPTime fastening kit 180
A4506_0648	OPTime fastening kit 150	A4506_0652	OPTime fastening kit 205

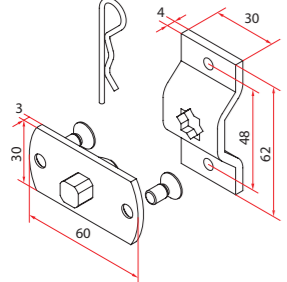
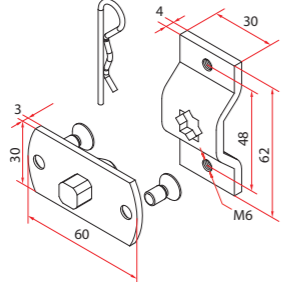
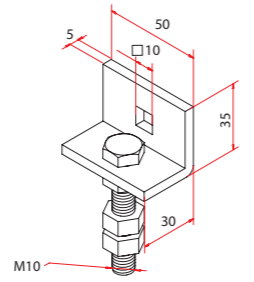
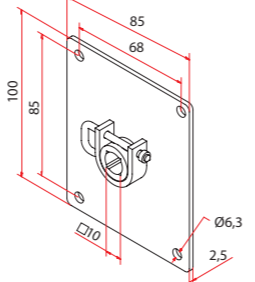
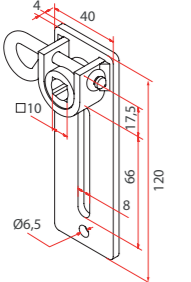
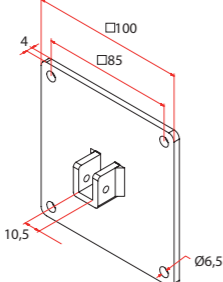
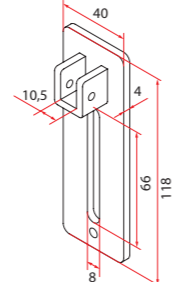
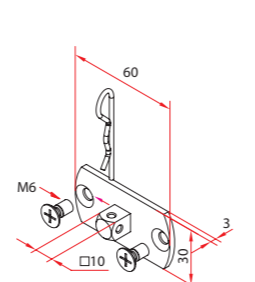
Brackets for motors with override Ø45

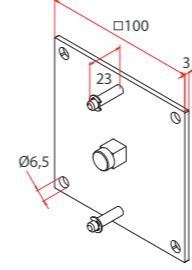
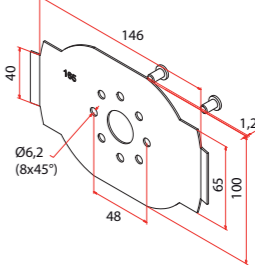
Ocean
Ocean RX

all motor torques

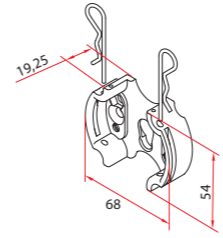
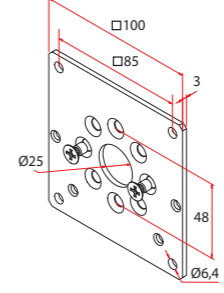
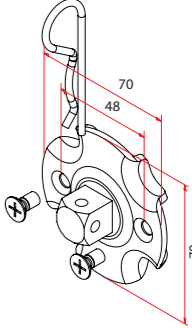
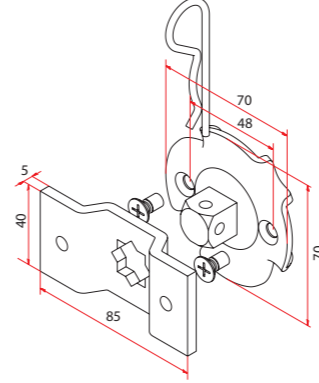
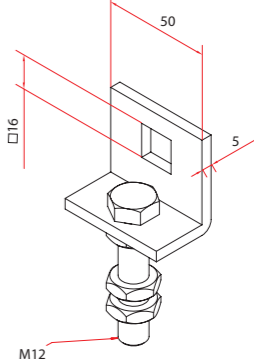
 <p>9014 Flange</p>	 <p>A4506_0559 "Vercelli" support plate</p>	 <p>A4506_0568 Plate 100x100</p>	 <p>A4506_0571 Adjustable bracket for Ocean</p>
 <p>A4506_0584 Fastening sliding ring</p>	 <p>A4506_0624 Plate 100x100 holes 12,5°</p>		

up to 32 Nm

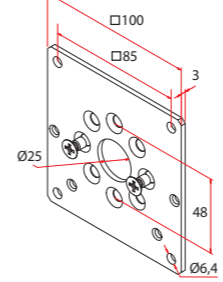
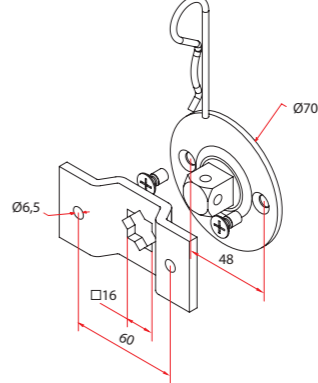
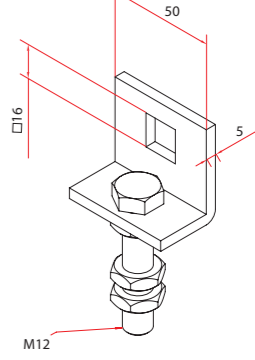
 <p>A4506_0556 Flanged 10 mm square pin with omega bar, through holes</p>	 <p>A4506_0557 Flanged 10 mm square pin with omega bar, M6 holes</p>	 <p>A4506_0558 Adjustable bracket with 10 mm square hole</p>	 <p>A4506_0561 Bracket with 10 mm square hole, with release</p>
 <p>A4506_0562 Adjustable bracket with 10 mm square hole, with release</p>	 <p>A4506_0572 Bracket with 10 mm square hole, without release</p>	 <p>A4506_0573 Adjustable bracket with 10 mm square hole, without release</p>	 <p>A4506_0580 10 mm square pin with M6 screw</p>

<p>up to 32 Nm</p>  <p>A4506_0632 Fast plate 100x100</p>	<p>up to 20 Nm</p>  <p>A4506_0628 Fixing for 165 mm sides</p>
--	---

Brackets for motors Ø58





 <p>A4506_0554 Fast coupling bracket with spring split pins</p>	 <p>A4506_0568 Plate 100x100</p>	 <p>A5806_0555 Square pin 16 mm</p>
 <p>A5806_0551 Square pin 16 mm with omega bar</p>	 <p>A5806_0558 Adjustable bracket with 16 mm square hole (up to 85 Nm)</p>	

Motor with override: OCEAN

 <p>A4506_0568 Plate 100x100</p>	 <p>A5806_0552 Square pin 16 mm with omega bar for override</p>	 <p>A5806_0558 Adjustable bracket with 16 mm square hole (up to 85 Nm)</p>
--	---	--

Accessories

For manually operating motors of the series OCEAN, OCEAN RX

 <p>Ref. 9100 150L CH02 Operating crank length 150 cm Only for OCEAN series motors</p>	 <p>Ref. 7463 150G 2101 Foldable crank with hook length 150 cm Only for OCEAN series motors</p>	 <p>Ref. 7461 150N 1606A Foldable crank with assembled tube length lg. 150 cm</p>
 <p>Ref. 7721 7040 OC16 Outlet at 60°, fast coupling with eye Only for OCEAN series motors</p>	 <p>Ref. 7840 7033 OCNK (nickel plated) Ref. 7840 7043 OC16 (Ral 9016) Outlet at 90°, fast coupling with eye Only for OCEAN series motors</p>	 <p>Ref. 7705 7030 OCNK Outlet 55°, plate in nickel plated Zama, with eye Only for OCEAN series motors</p>
 <p>Ref. 8026 70 Magnetic outlet with plate</p>	 <p>Ref. 14987016 Ref. 8056M12 Ref. 8056V13 Magnetic outlets without plate</p>	 <p>Ref. 6015 Ref. 6015 7007 Hexagonal pole 7 w/71 mm protrusion+screw Ref. 6015 7018 Hexagonal pole 7 w/185 mm protrusion+screw</p>
 <p>Ref. 7840 7038 CA16 + 7844 12CA16 Outlet at 90° magnetic + magnetic gear reduction</p>	 <p>Ref. 6010 7008 CH16 Eye with hexagon 7 - lg. 86 mm Ref. 6010 7012 CH16 Eye with hexagon 7 - lg. 126 mm Ref. 6010 7018 CH16 Eye with hexagon 7 - lg. 186 mm Only for OCEAN series motors</p>	 <p>Ref. 7810 Plate 85x40x2 mm Hole cover plate designed for manual override on cassette</p>

General sales terms

- Orders** - All orders will only be accepted according to the following conditions. We will confirm your order in writing by our Order Confirmation. It is the customer's responsibility to check the order confirmation. Any differences in specification or terms shown on the order confirmation must be notified to Cherubini within 5 days of the date of the order confirmation, otherwise the customer has to accept the goods as shown on the order confirmation.
- Prices** - Our price list shows only indicative prices. If any extraordinary or unexpected circumstances change the conditions stated at the moment of the contract the company has the right to change prices with a prior notice. Any price negotiations, conducted by agents or sub-agents, require the authorisation of Cherubini before these prices can become operable.
- Delivery** - Goods are shipped at the buyer's risk, even if these parts are being shipped for a free delivery shipment.
- Payments** - Cherubini retains the ownership of the goods until all payments have been made for them. The payment of the amount of the invoice must be paid within the terms and conditions indicated on the invoice. Failure to make payments in accordance with these terms and conditions may incur the imposition of a 3% penalty interest rate higher than the official discount rate of the moment.
- Deliveries** - Deliveries will be made in accordance with our normal trading terms and conditions. However, should any unforeseen circumstance arise which precludes a delivery being made, the customer will have no rights to seek compensation of any kind from Cherubini.
- Claims** - The goods will be considered completely accepted by the customers after 8 days from their receiving. All claims must be in writing and sent to Cherubini by registered letter within eight days of the customer receiving the goods. In case of goods subject to a manufacturing defect, such goods will be replaced ex works as quickly as possible. No claims will be allowed for direct or consequential loss arising from damage caused by the operation of our products. All replacement of product will be authorised and carried out only by Cherubini. Any delay in payment by the buyer will nullify all sales agreements.
- Controversy** - All disputes arising from any matter resulting from the supply of product to a customer will only be settled by the Law Court of Brescia, Italy.

Warranty

CHERUBINI GUARANTEES ITS MOTORS AND RELATED ACCESSORIES TO BE FREE FROM DEFECTS IN MATERIAL AND WORKMANSHIP UNDER NORMAL AND PROPER USE, AT THE FOLLOWING CONDITIONS:

PERIOD

Cherubini warrants its tubular motors for a period of five (5) years.

The electrical and electronic accessories (including the control systems) have a two (2) year warranty. All warranties start from the date of manufacturing.

WARRANTY APPLICATION

Cherubini has an obligation under the terms of this warranty to repair or replace any parts found to be defective as quickly as possible. Cherubini shall retain any parts replaced under warranty.

The buyer is responsible for all freight costs associated with the repair, or replacement of the parts, without any obligation of assistance on the spot by Cherubini.

WARRANTY LIMITATIONS

The following will render the warranty null and void:

- If the product has been opened or dismantled, or there are clear signs the product has been subject to abuse or other damage.
- If the buyer has selected a product which is not in accordance with our written product specifications.
- If the buyer or his agent has not followed the written installation and wiring instructions issued by Cherubini.
- If our products are used in a manner for which they were not designed or they are used with accessories which have not previously been approved in writing by the Technical Department of Cherubini.
- If any of the electrical accessories or controls have not been wired or installed in the manner depicted in our installation instructions.

PRODUCT USE LIMITATIONS

Cherubini has designed the range of products for use in operating awnings, shutters or screens for sun protection, provided they are not in continuous use. These products must be installed according to IEC Standards or any other rule in force at the moment of their installation or planning.



The products and details shown in this catalogue are for information only, and may be changed at any time, without notice.

Cherubini S.p.A.

Via Adige, 55 - 25081 Bedizzole (BS) - Italy
Tel. +39 030 6872 039
info@cherubini.it
www.cherubini.it

Cherubini Iberia S.L.

Avda. Unión Europea 11-H - Apdo. 283
P. I. El Castillo - 03630 Sax - Alicante - Spain
Tel. +34 966 967 504 - Sat +34 966 969 024
info@cherubini.es
www.cherubini.es



